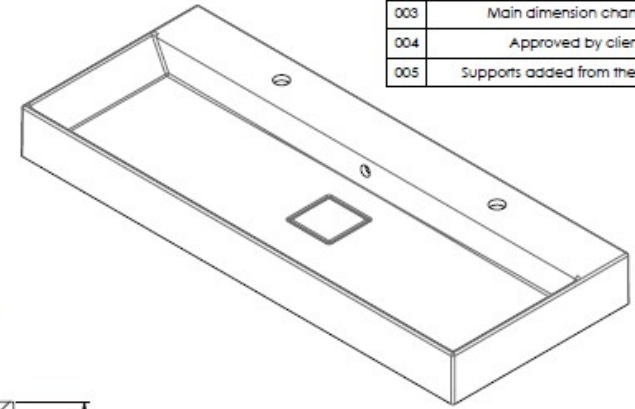
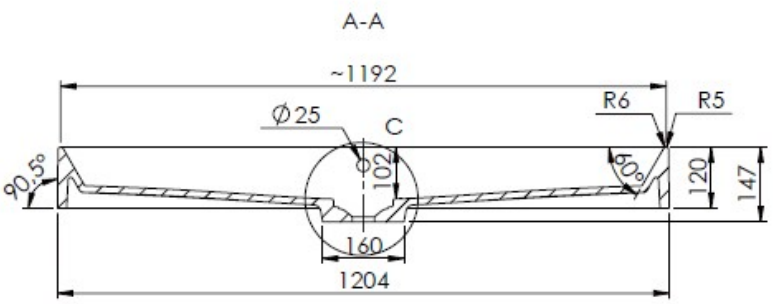
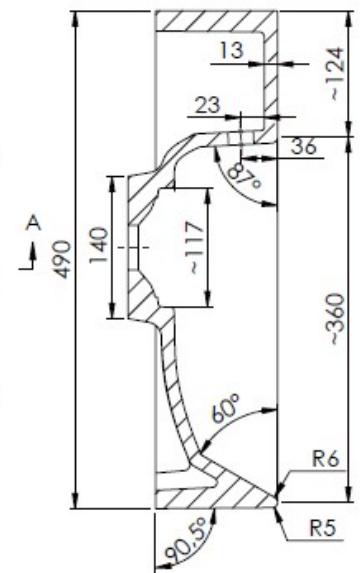
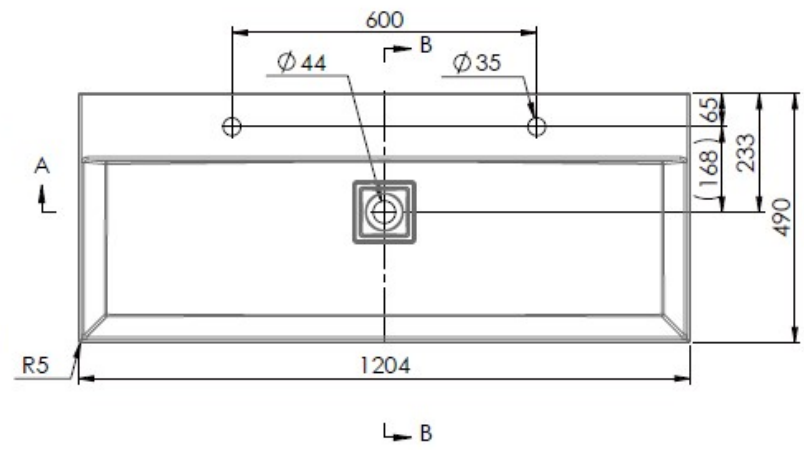


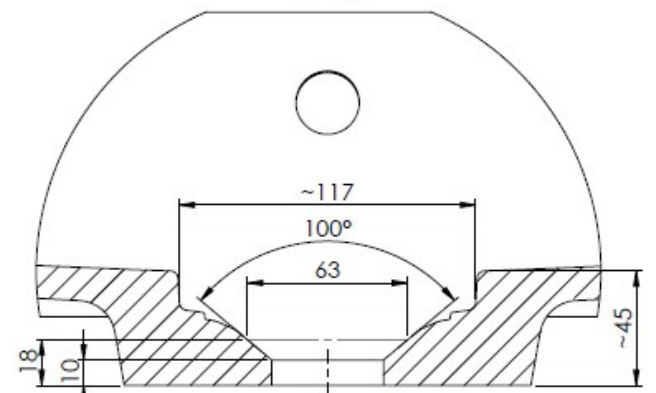
Rev	Design Change Note	Author	Date
003	Main dimension changed	RB	2015-07-13
004	Approved by client	RB	2015-07-21
005	Supports added from the bottom	RB	2015-08-19



B-B (1 : 5)

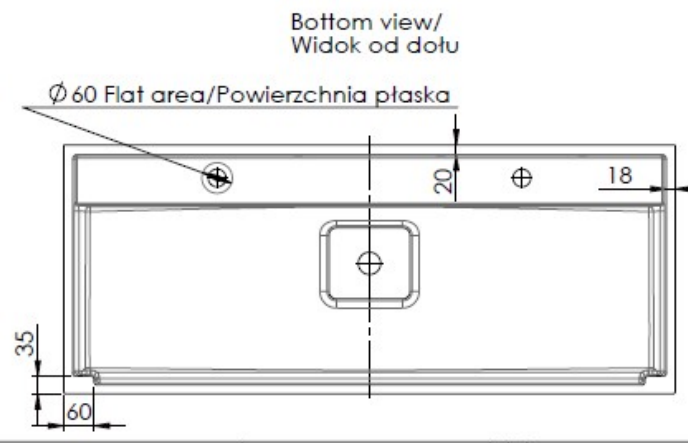
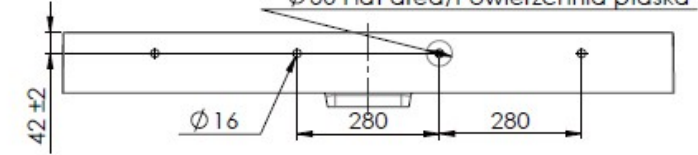


C (1 : 2)



Backside view/
Widok z tyłu

Ø 50 Flat area/Powierzchnia płaska



Bottom view/
Widok od dołu

Ø 60 Flat area/Powierzchnia płaska

Notes/Uwagi:

1. Cover - see drawing 6073250000xx/Przykrywka - patrz rysunek 6073250000xx

Tolerance total	length	+3/0 mm
	width	+2/0 mm
Tol. height side walls	height	+2/-2 mm
	≤25 mm	+1/-1 mm
Tolerance holes location	>25 mm	+2/-2 mm
		+2/-2 mm
Tolerance holes diameter		+1/-1 mm
Tolerance plane bending		+1,5/-1,5 mm

Drawn by	Checked Date	Checked by
Rafal B	2015-03-24	Zbigniew P
Project status	Client	
Approved	LEROY	

Art. Name:	NEOPURE_VSQ_49_120_VC
Art. No:	6073251212xx
Customer ID:	3127
Mould No:	F7325121



Material volume (mm³)	Overflow	Taphow	Min dimensions L x W / H (mm)	Draw
16911784	Yes	2	1204 x 490 / 147	Cover
Surface area (mm²)	Sheet size	Scale	Current revision	
2112922	A3	1:10	005	