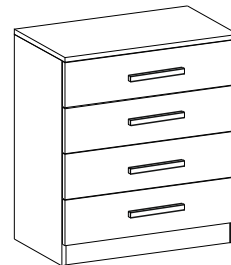


# KALE

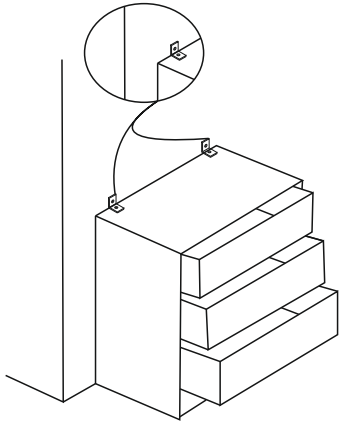
---



Dear Customer,

We design and produce our products for people to love and have fun with them as we do.

The product you bought was subjected to all sorts of tests and control before sending out to you.



**Attention!**

Using excessive force to the furniture can cause furniture to fall. This can damage you both financially and physically. In order to avoid this situation, please use wall mounting fixtures.



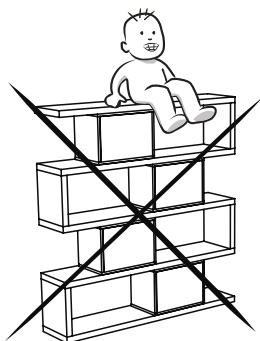
Before start assembling, please check the whole components and accessories according to the lists. If you bought more than one product, to prevent confusion be sure that you completed the first product. Then start the other product's assembling.



Before start assembling, please clean all the components with a damp cloth. Also for usual cleaning, this will be enough.



Although all the products are produced and packed carefully, sometimes happen that some component is damaged during the transportation. In such a case please check the missing or damaged part and do not hesitate to contact us. You can send e-mail to \_\_\_\_\_ or reach us at \_\_\_\_\_

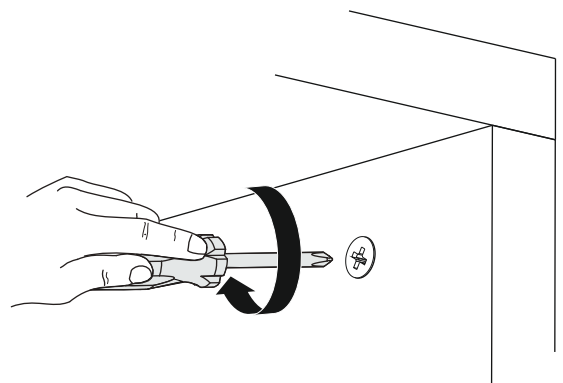
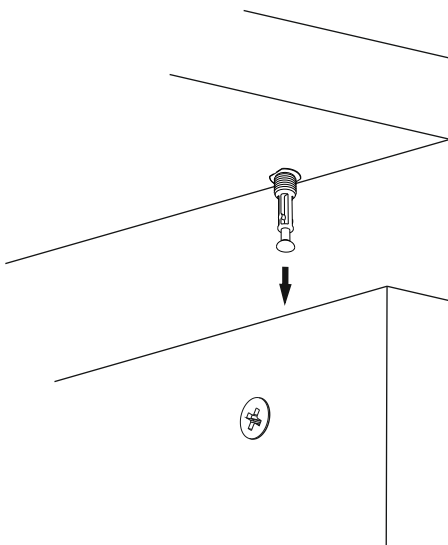
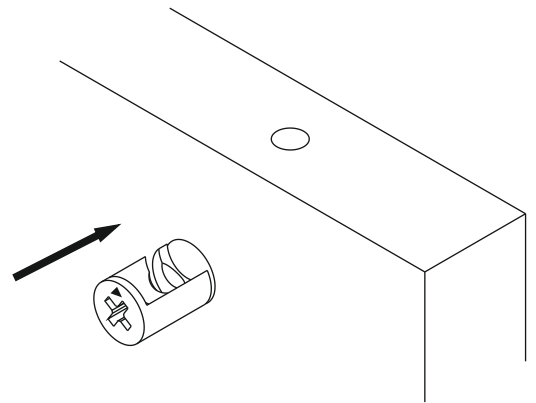
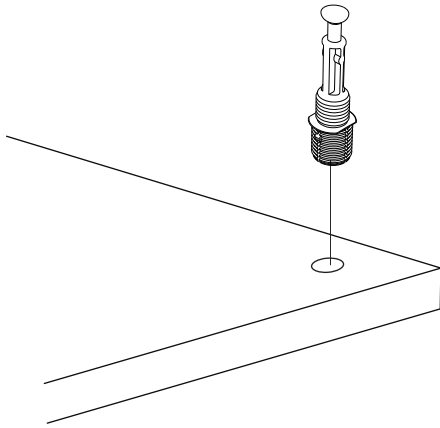
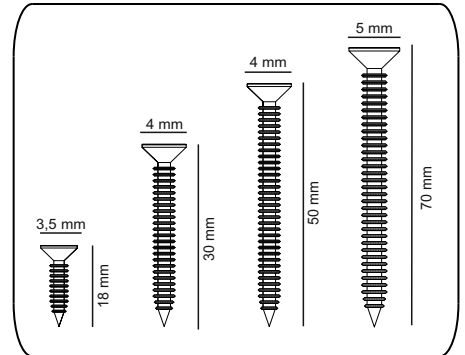
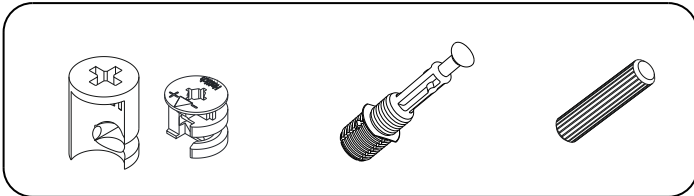


Do not use your furniture for out of purposes. If you would like to use it, please contact us for further questions.

Do not directly contact your furniture with excessive heat, cold and humidity because the product can be affected..

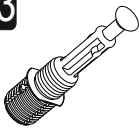



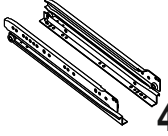

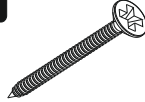

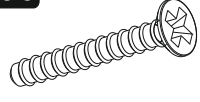
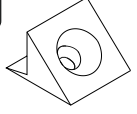
# ATTENTION !!

Minifix is the main connection material used in products. Before starting assembly, please check the drawings below.



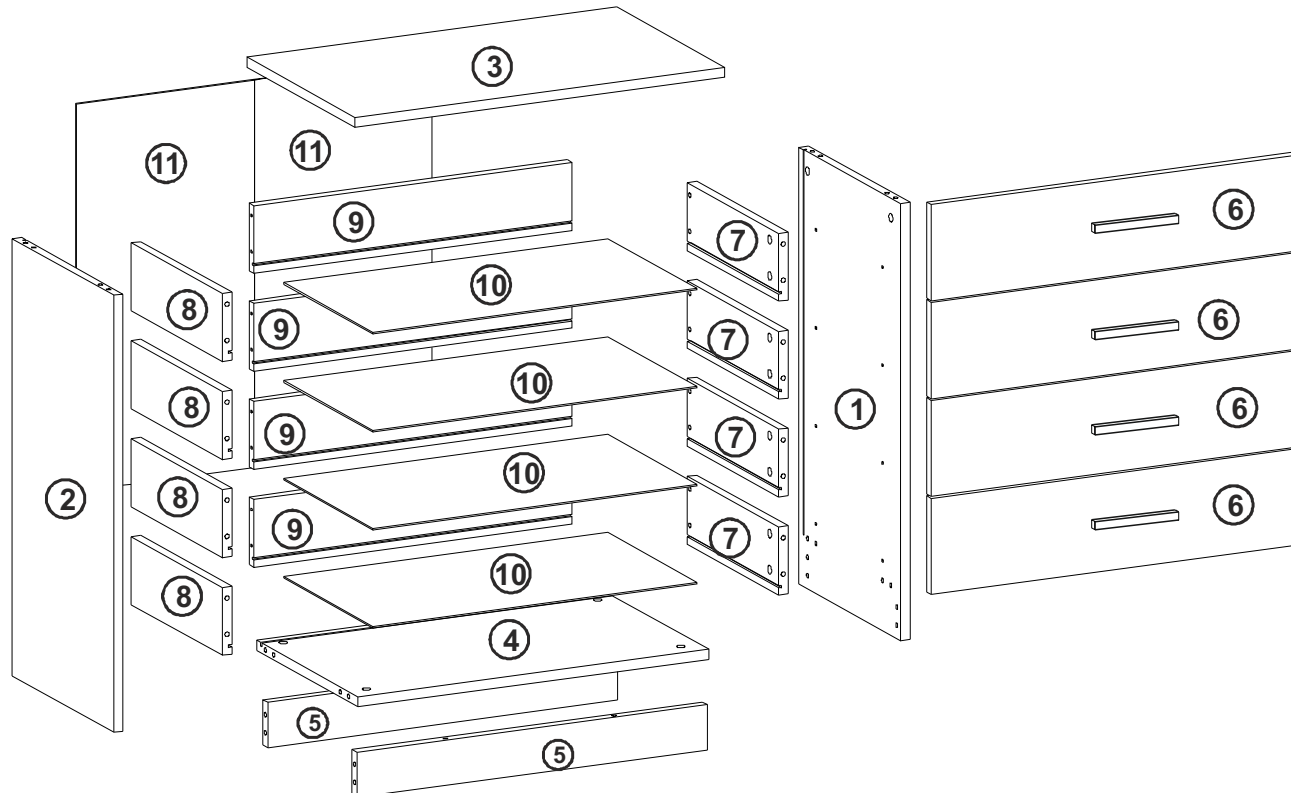
# ACCESSORY LIST

# KALE ŞİFONYER

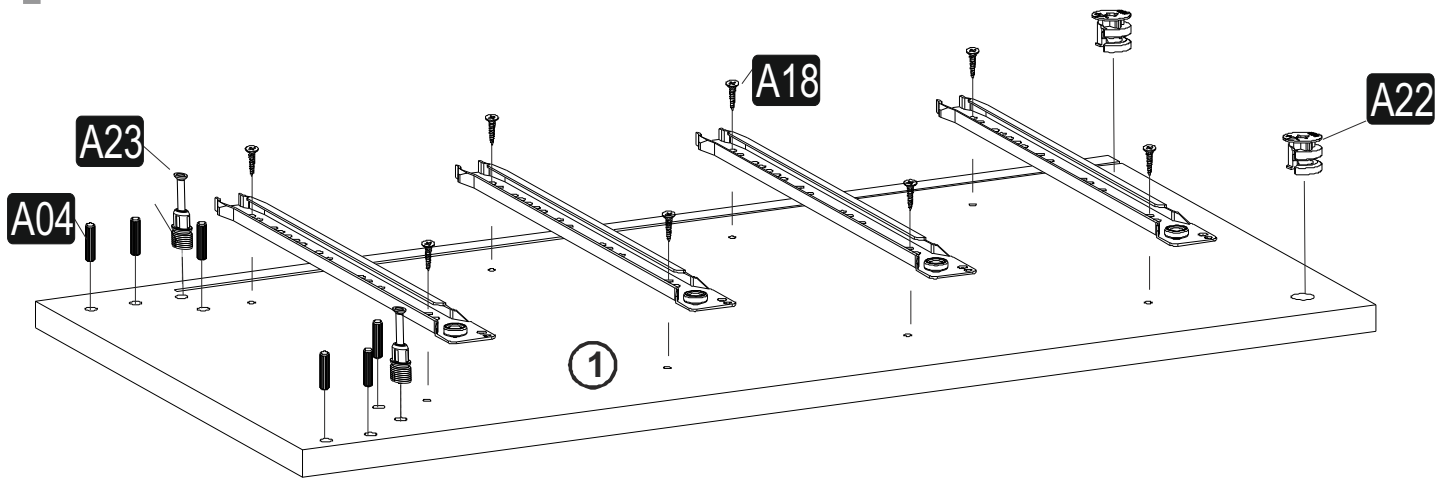
<b>A23</b> Minifix M10  24x	<b>A22</b> Minifix G18  24x	<b>A06</b> 18 mm BYZ  24x	<b>A04</b> KVLY  20x	<b>R03</b> CRY 35 cm  4x
<b>A18</b> 3,5x18  60x	<b>A17</b> 4x50  16x	<b>K21</b> 128mm syh pstk  4x	<b>V33</b> plstk kvd 32mm  8x	<b>Z24</b>  24x

## GENERAL VIEW

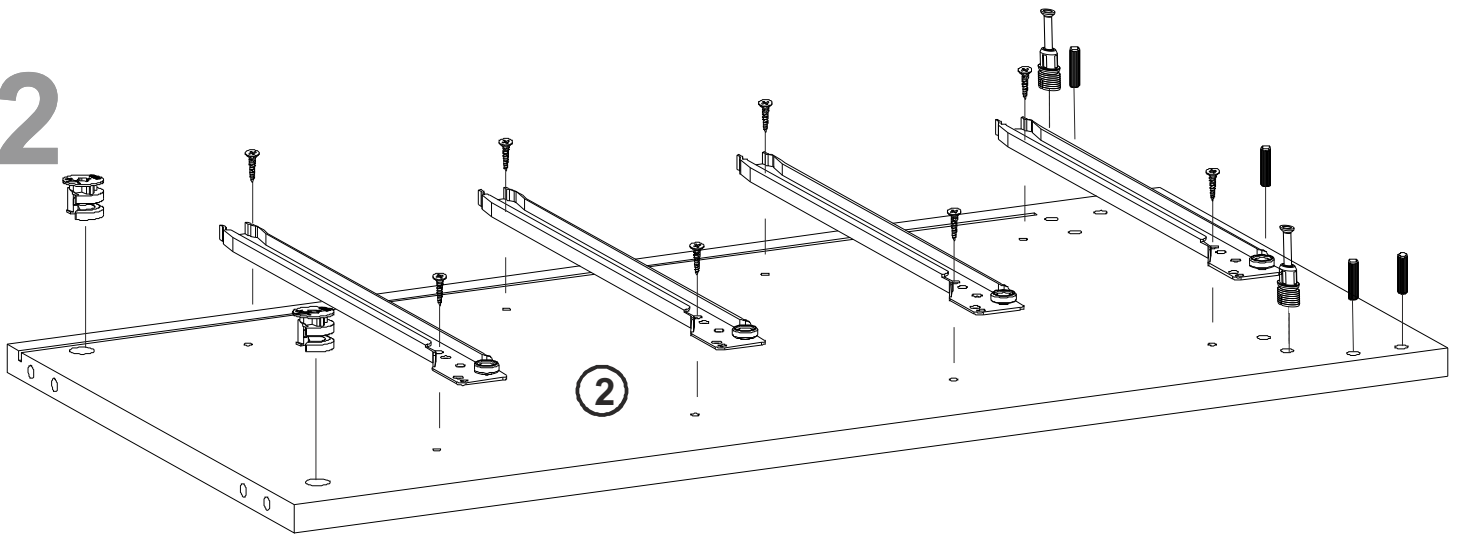
NO	PART CODE	PIECE	LENGHT	WIDHT	THICKNESS
1	00085.01	2	772	390	18
2	00085.02	1	700	415	18
3	00085.03	1	664	390	18
4	00085.04	2	664	80	18
5	00085.05	4	697	170	18
6	00085.06	8	350	120	18
7	00085.07	4	602	120	18
8	00085.08	2	685	336	3
9	00085.09	4	612	342	3



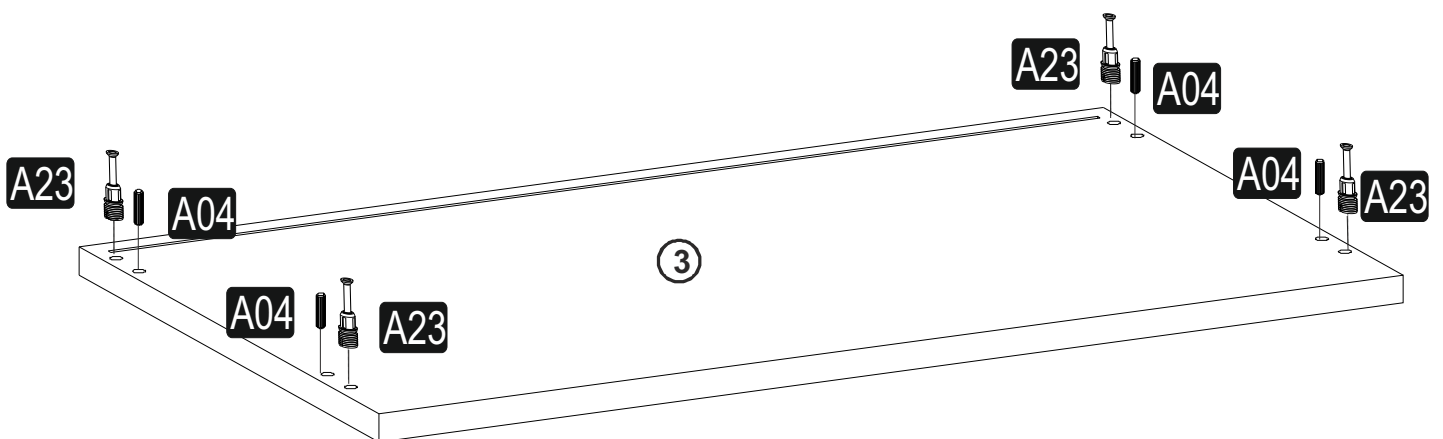
# 1



# 2

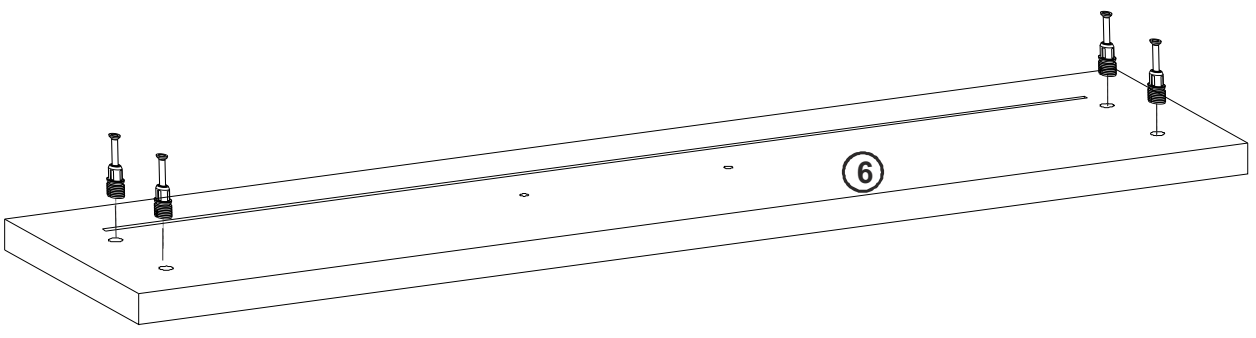
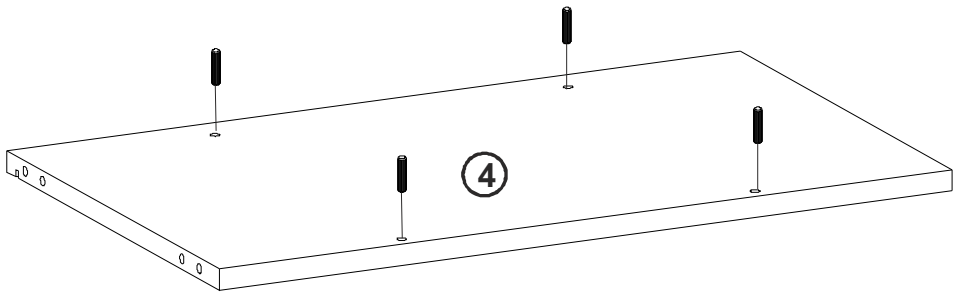
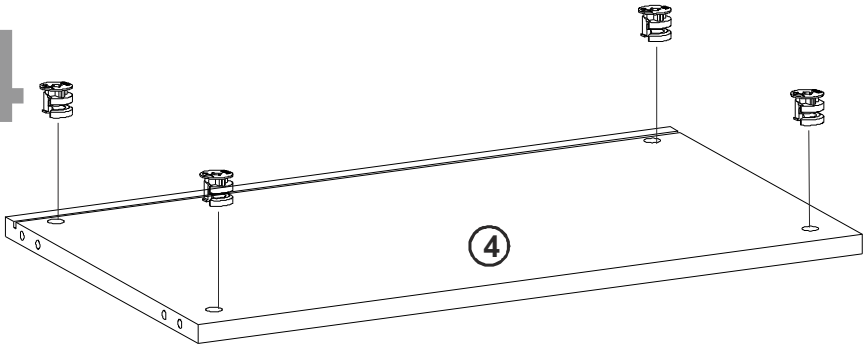


# 3

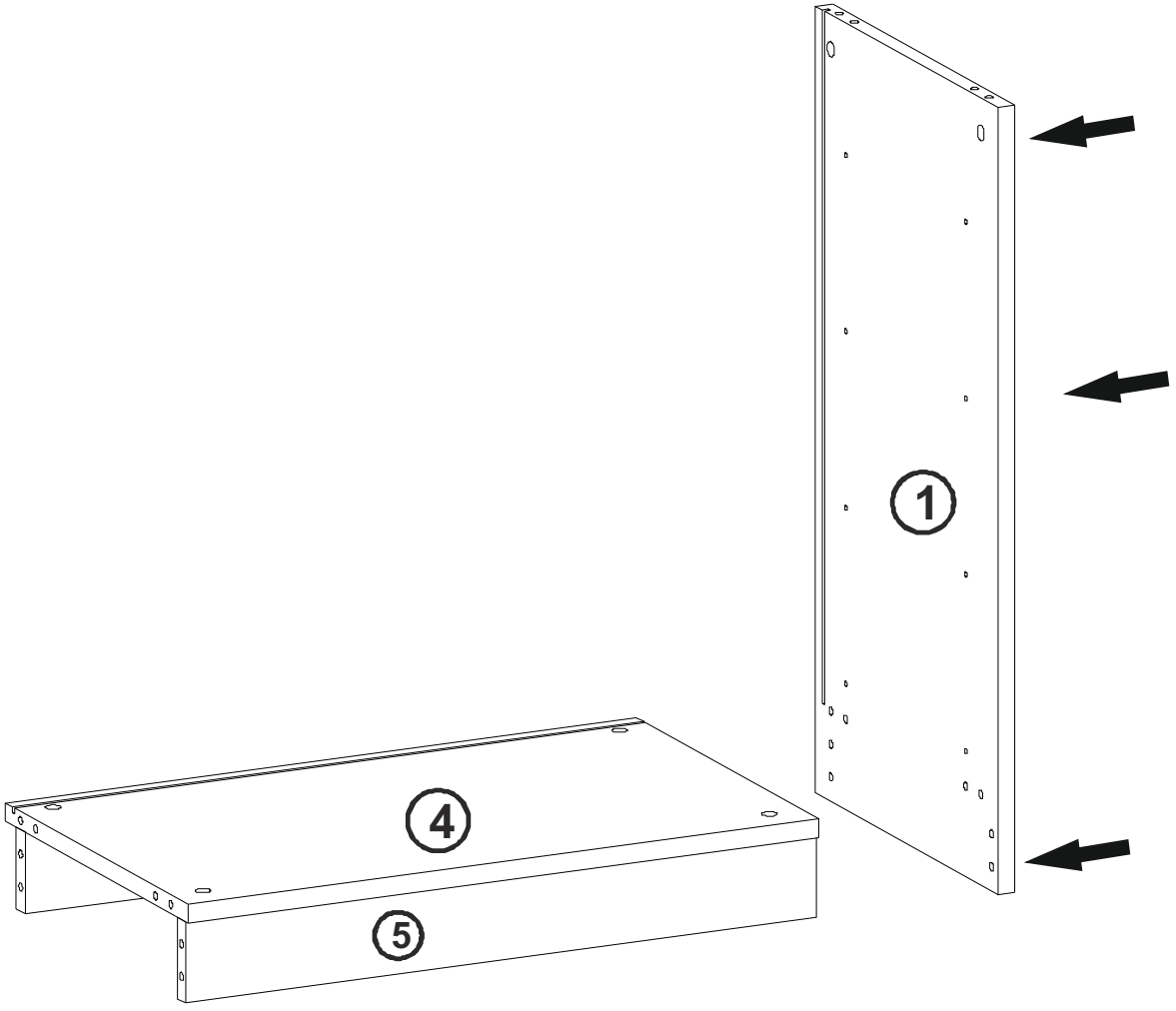


# 4

4

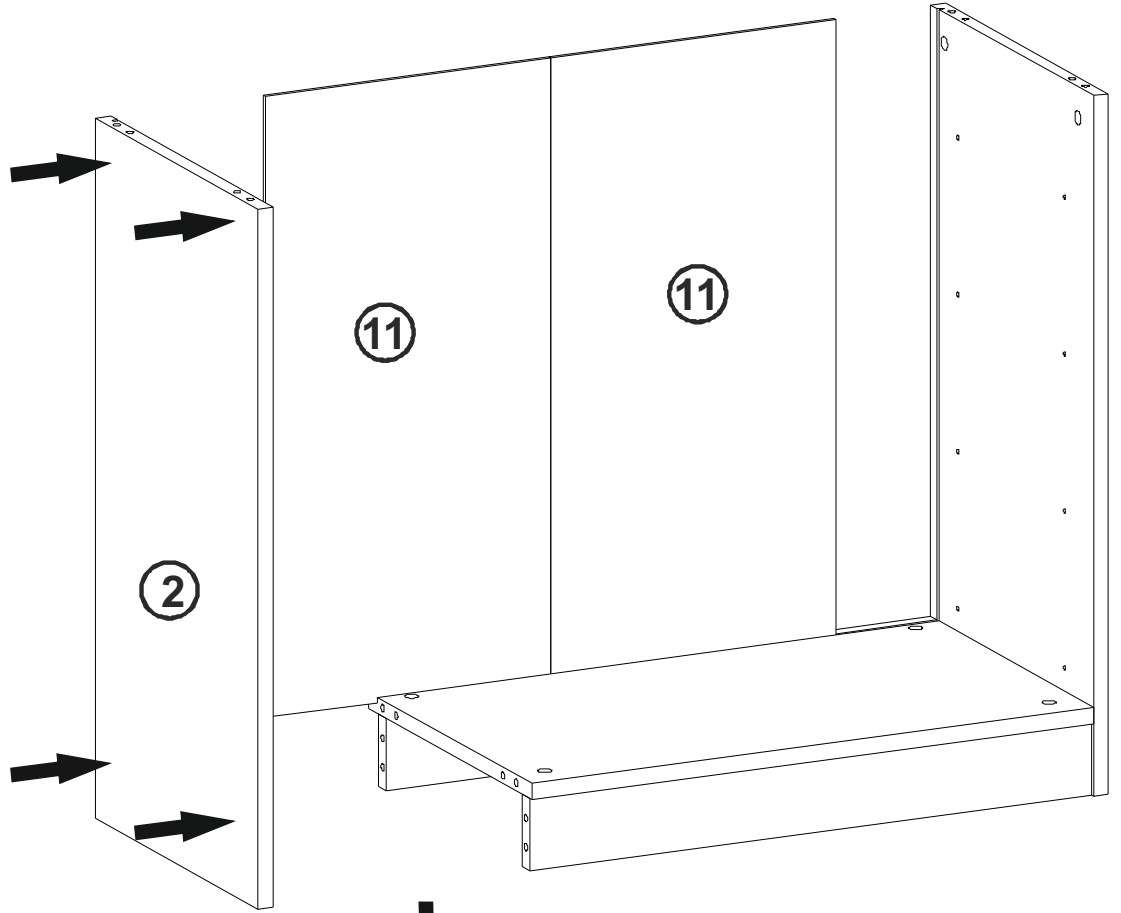
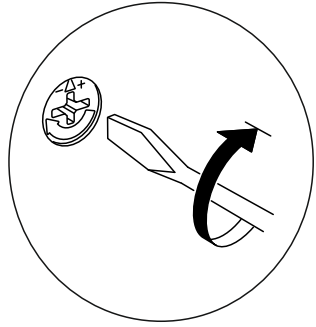
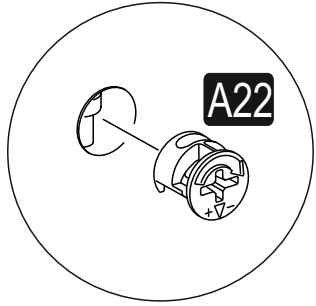


5

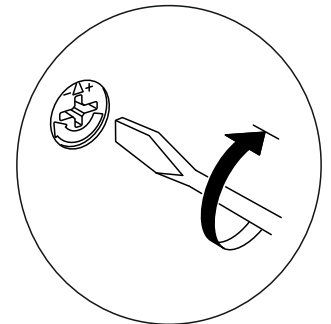
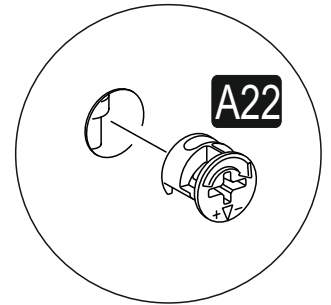
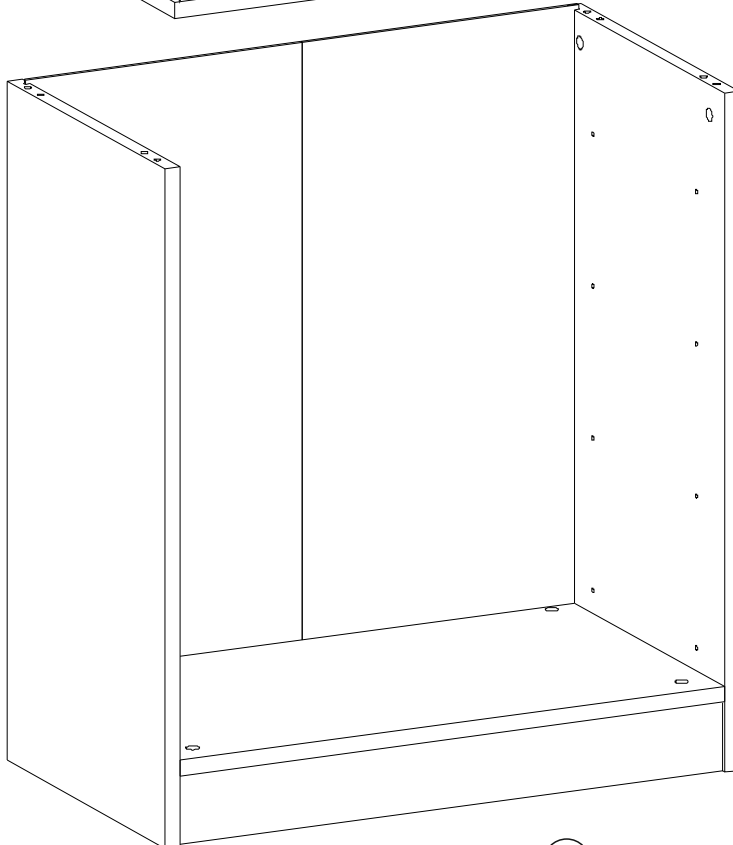
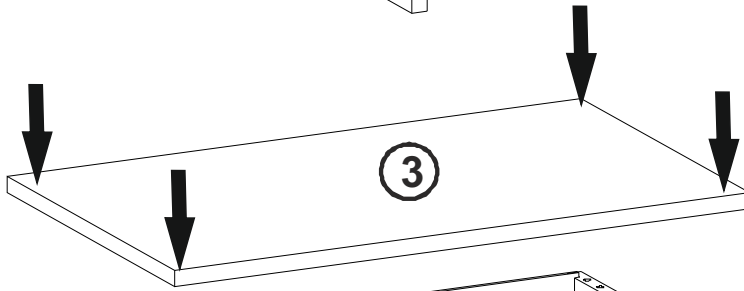


5

6

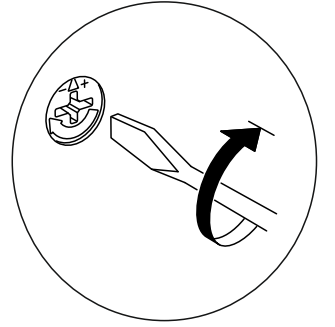
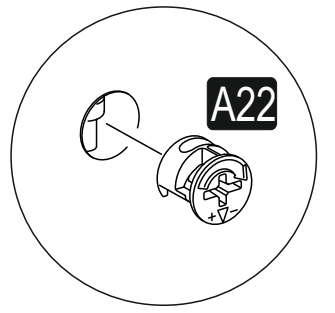
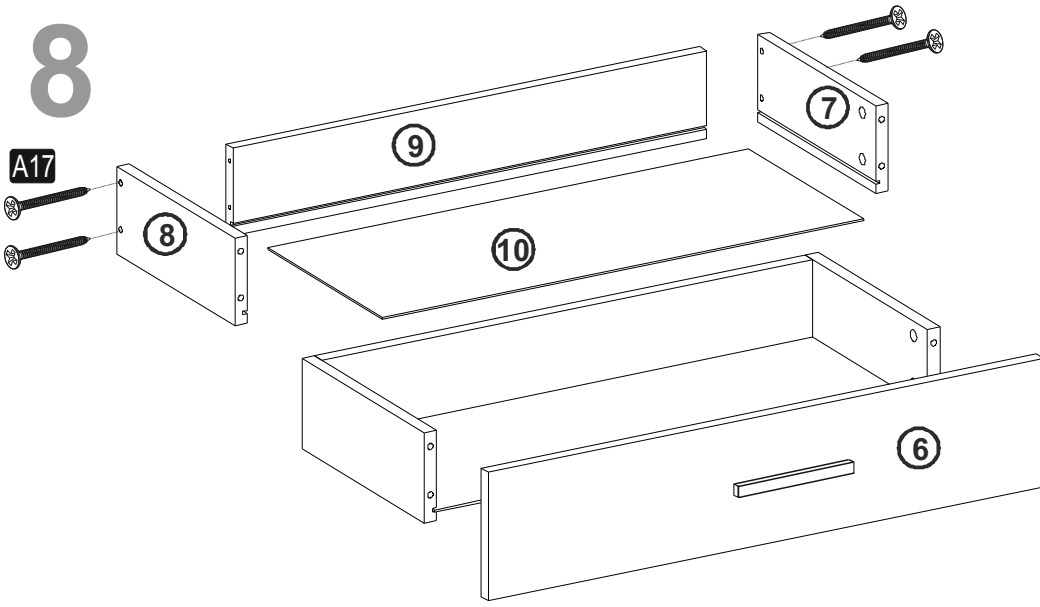


7

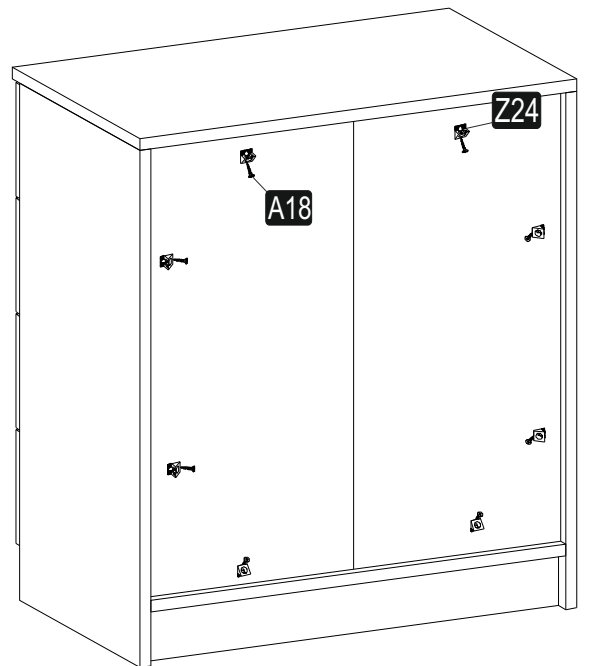
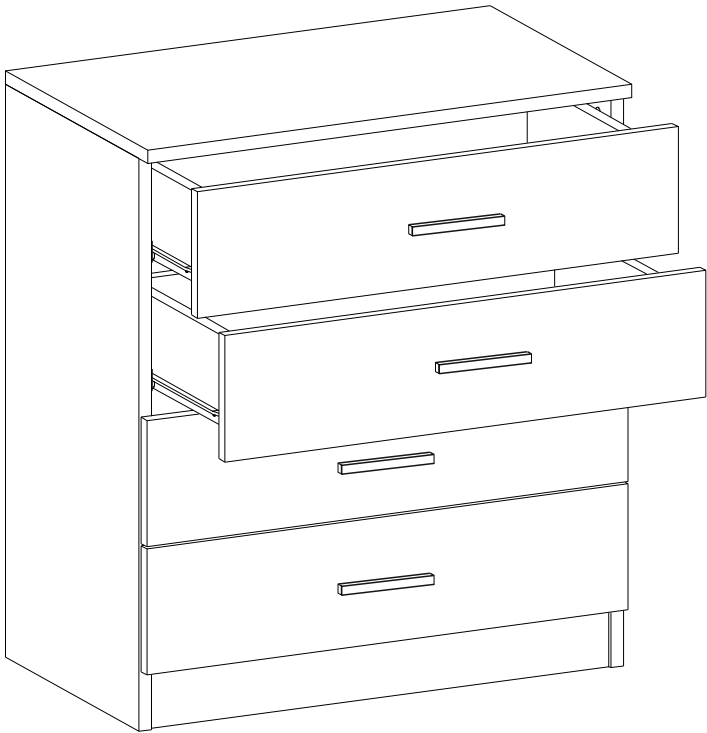
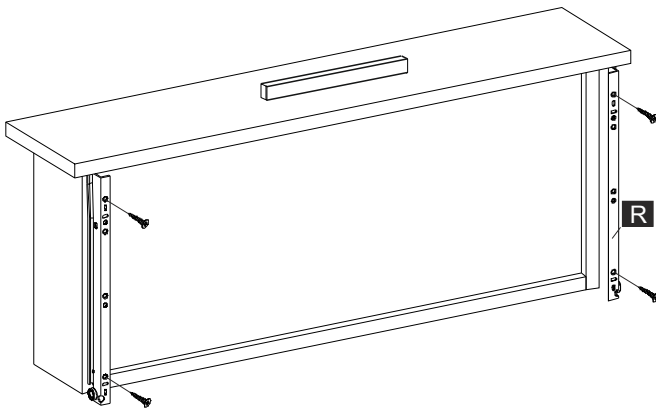


6

8



9



7